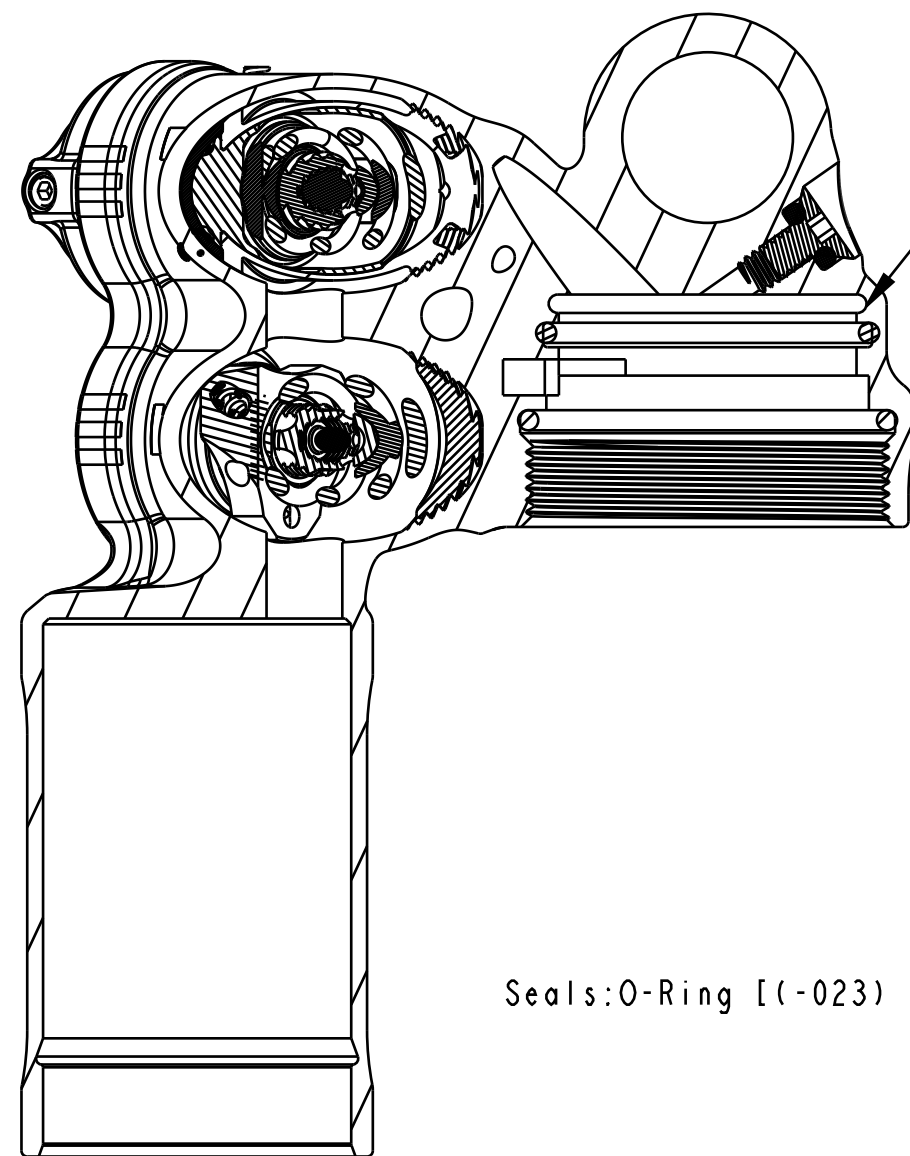


4

3

2

1



SECTION B-B
SCALE 1.500

IMPORTANT:
DO NOT INSTALL O-RING
IN STRAIN RELIEF.

018-01-026
Screw [#6-32 X .250 TLG]

029-03-006
O-Ring (-006) [.070 C.S. X .114 ID]

TORQUE:
14±2 IN.LB.

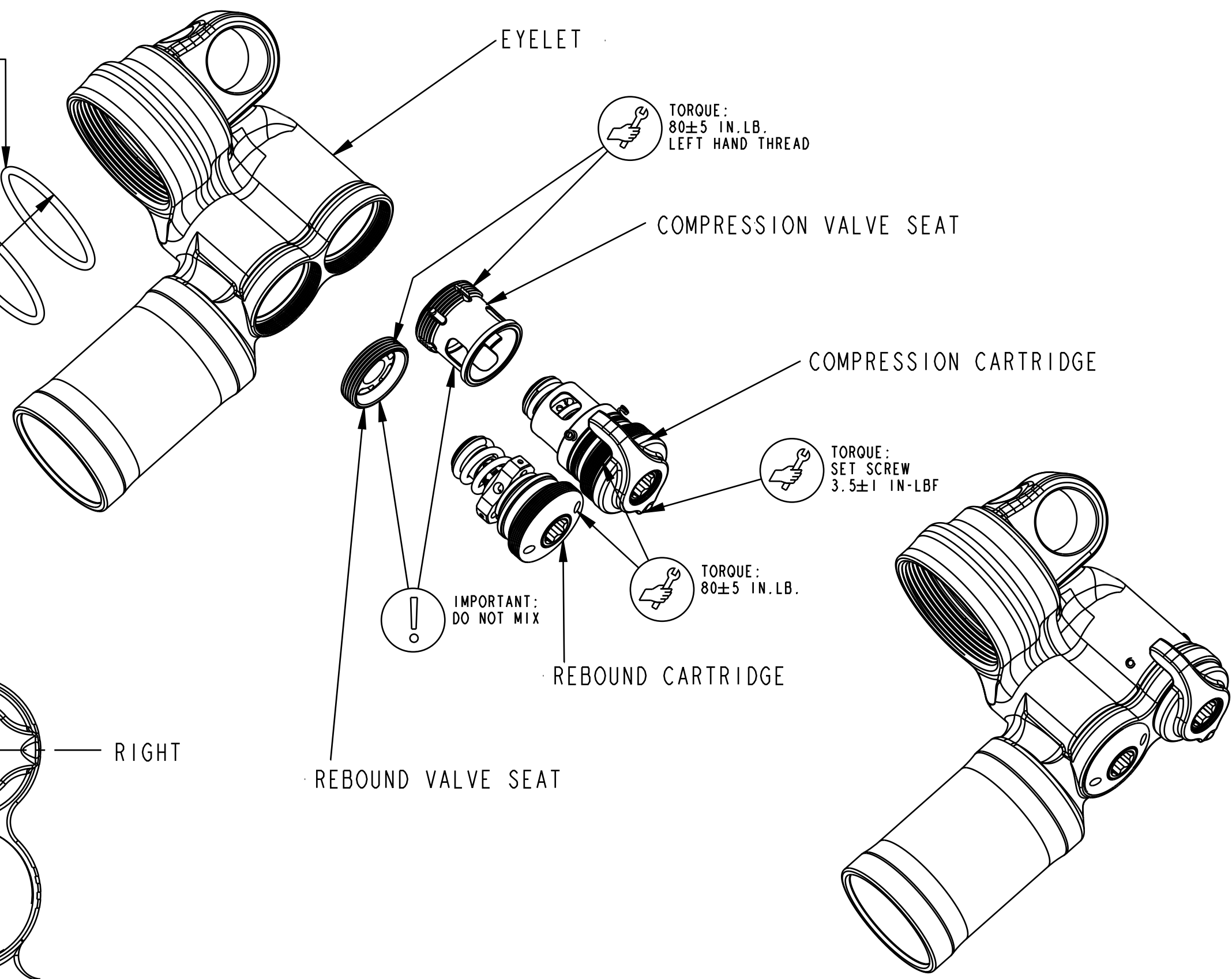
GREASE:
THIN LAYER
OF SLICK HONEY

Seals: O-Ring [(-023) .070 C.S. X 1.051 ID] Standard, N-70, Static

029-03-023

029-03-025
O-Ring (-025) [.070 C.S. X 1.176 ID]

GREASE:
THIN LAYER
OF SLICK HONEY



TORQUE:
80±5 IN.LB.
LEFT HAND THREAD

COMPRESSION VALVE SEAT

COMPRESSION CARTRIDGE

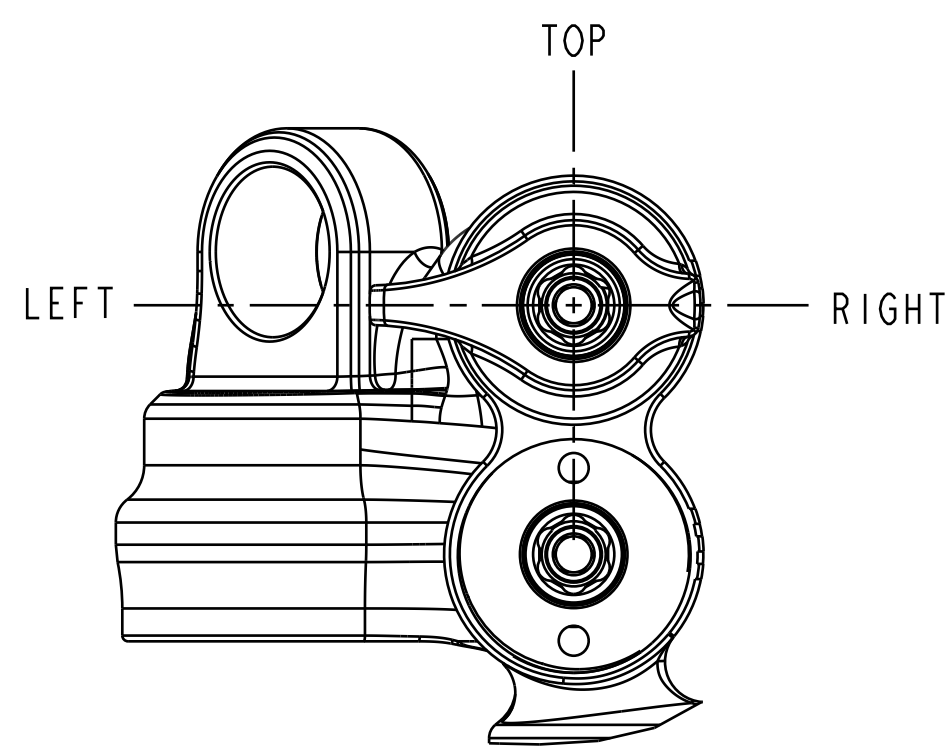
TORQUE:
SET SCREW
3.5±1 IN-LBF

TORQUE:
80±5 IN.LB.

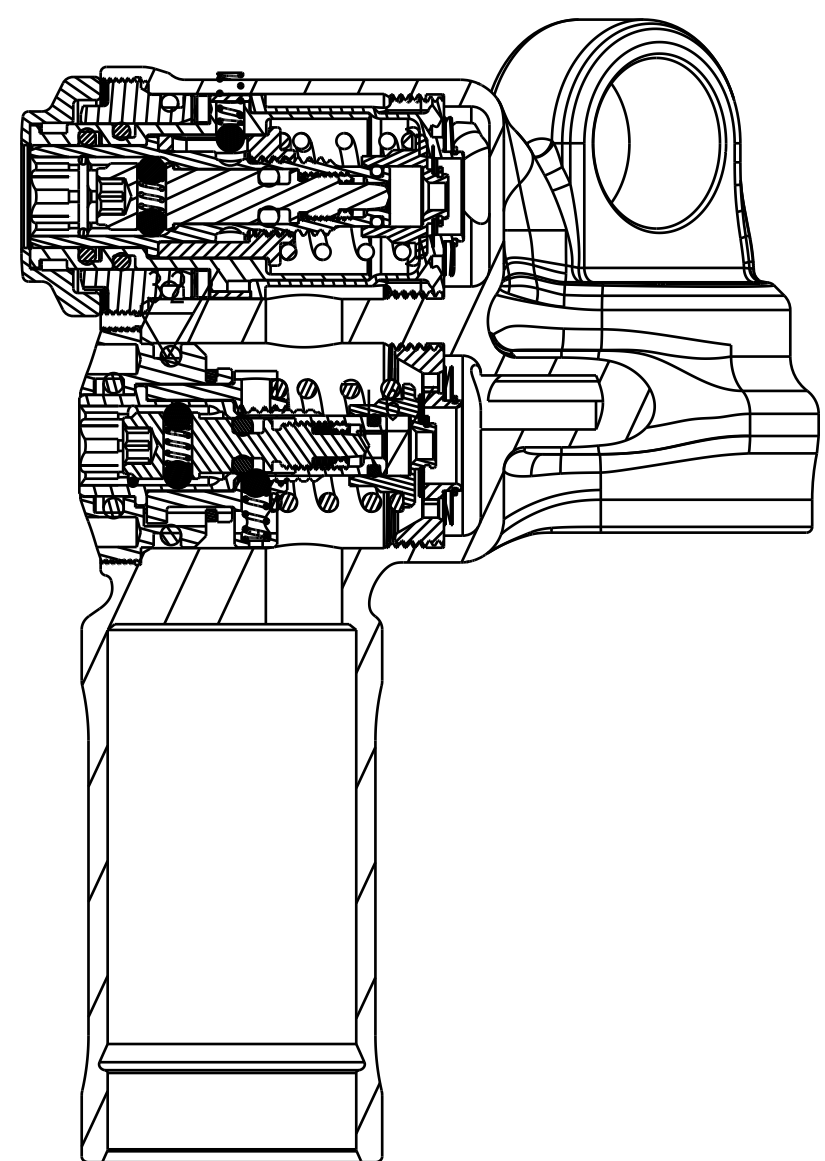
IMPORTANT:
DO NOT MIX

REBOUND CARTRIDGE

REBOUND VALVE SEAT



SCALE 1.500
SEE SHEET 2 FOR DETAILS



SECTION C-C
SCALE 1.500

PROPRIETARY
THIS DOCUMENT CONTAINS CONFIDENTIAL, PROPRIETARY INFORMATION
THAT IS FOX PROPERTY. DO NOT DISCLOSE TO OR DUPLICATE
FOR OTHERS EXCEPT AS AUTHORIZED BY FOX.

FOX	FOX Factory, Inc.	Ph 831-768-1100
	130 Hangar Way, Watsonville, CA 95076 USA	Fax 831-768-9312
TITLE	Eyelet, 2017, DHX2, FloatX2, 2pos-Adj	
SIZE	DWG. NO.	
C		
PLOT SCALE .00:1	SHEET 1 OF 2	

4

3

2

1